

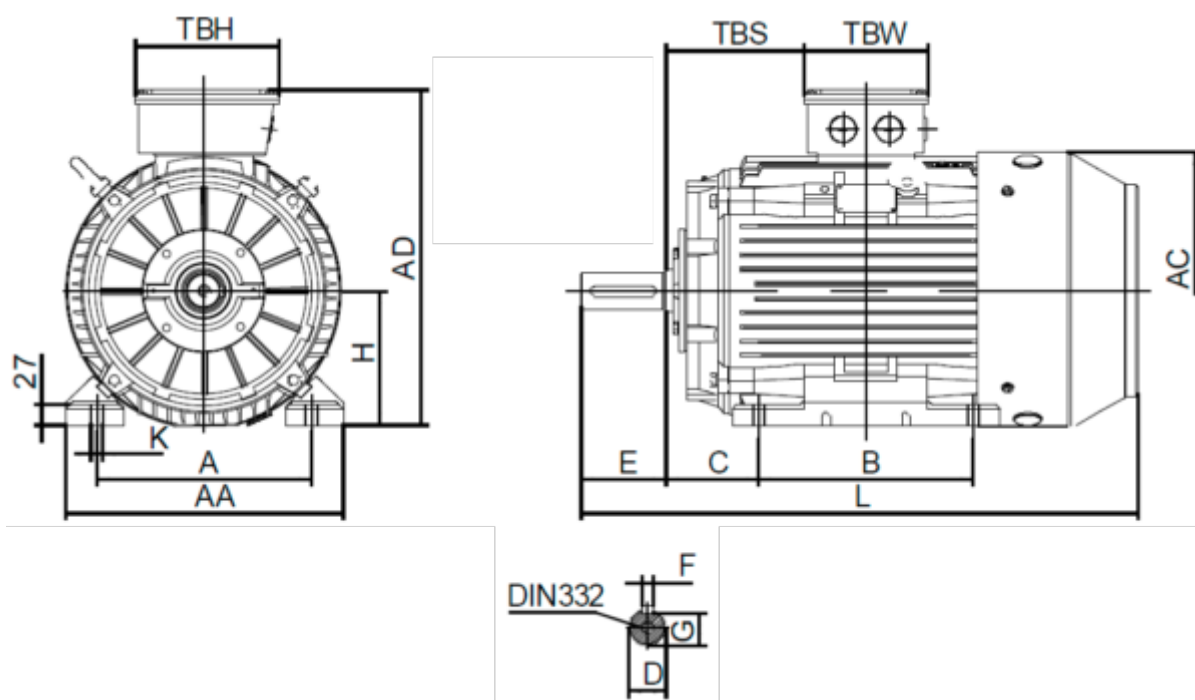
Data Sheet



Article number: 250203000622

Description: Kleedrive T2C 225M-6 30kW 900 rpm
3x400/690V 50HZ IP55 B3 Eff=91.7%

Measures



A = 356	F = 18	TBW = 186
AA = 440	G = 53	
AC = Ø459	H = 225	
AD = 558	HD = 333	
B = 311	K = Ø19	
C = 149	L = 835	
D = Ø60	TBH = 233	
E = 140	TBS = 211.5	